

**ASSEMBLY INSTRUCTIONS:** 70-380 V01 010820

**Serie 800  
Suspended cabinets.**

**Intended use (scope):**

The current Serie 800 suspended cabinets is part of a comprehensive cabinet system. No liability is assumed for improper use. Use (e.g. in workshops, storage areas, wet rooms) is not considered as intended. VS Vereinigte Spezialmöbelfabriken GmbH & Co. KG is not liable for any damage resulting from this.


**General comments:**

Before using the products, read these instructions carefully and pay special attention to the safety instructions. Keep these Instructions for future consultation and communicate them to other users.

**General note on safety:**


The following symbols and notes are used in our Instructions for Use:

---

 **Important!** This symbol indicates an important assembly note.

---

---

 **Caution!** This symbol indicates a very important note.

---

**Corner protectors:**

These are located on the bottom side of the cabinets and should usually be removed.

**On the Web:**

You can find these Instructions on the Web: (see header)

**Use:**

Please take account of the notes on the following pages.

**Faults and service:**

If any faults occur, please contact our Customer Service: [kundendienst@vs-moebel.de](mailto:kundendienst@vs-moebel.de)

**Maintenance and cleaning:**

On the Internet: [vs.de/kataloge/reinigung/en](http://vs.de/kataloge/reinigung/en)

**Transfer und Disposal:**

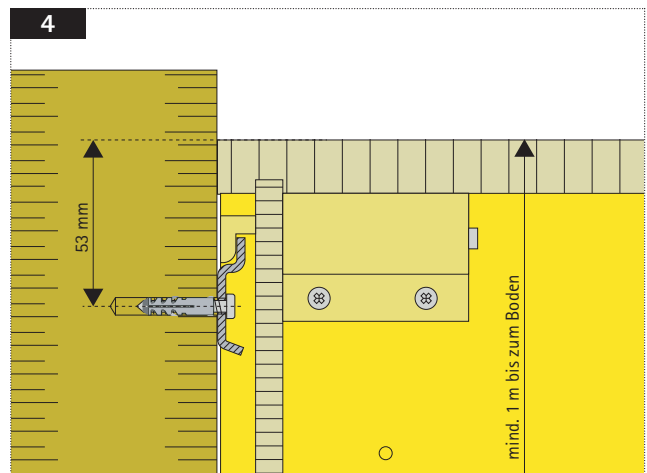
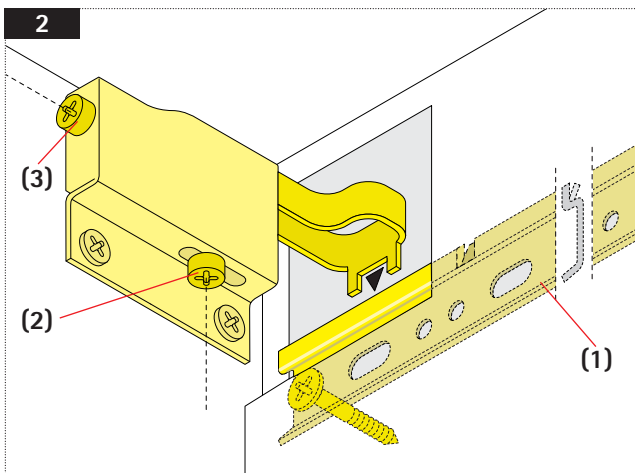
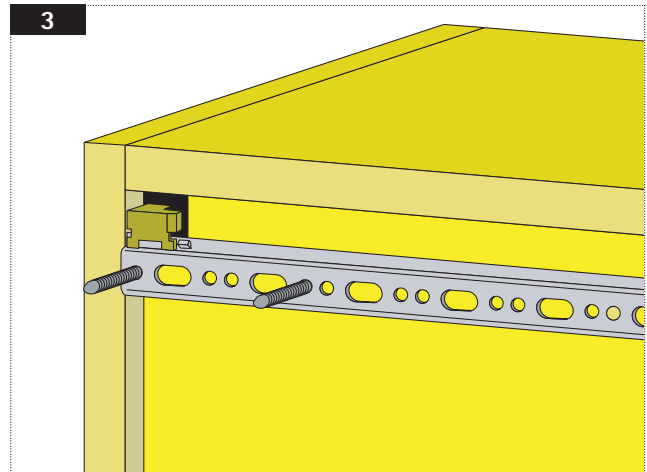
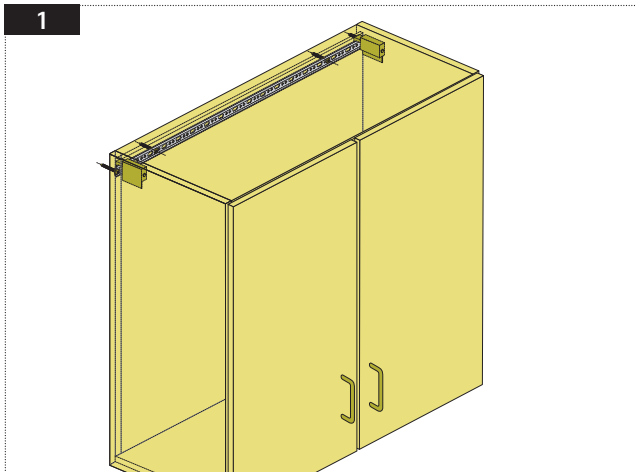
If the product is transferred to another party then it must be accompanied by these Instructions. Please contact your responsible local authority department regarding environmentally friendly disposal.

The indicated electric and electronic components must not be disposed of with the ordinary waste.

They must be removed from the furniture unit before the unit is sent for disposal.

They are to be disposed of at authorized collection and return points.





## Suspended cabinets.

Wall mounting with the double suspension rail [Fig. 1].

### Step 1:

Fasten the double suspension rail (1) to the wall. In the case of lightweight walls, screw the double suspension rail into the stand, possibly use a load compensation plate.

### Screw position Left / Right [Fig. 3].

Screw the first screw between the distress and the outer edge. Fasten the second screw approximately 8 cm from the first screw.

**Important!** No relining allowed!  
The rail must lie completely against the wall!

### Step 2:

Suspend the cabinet.

### Step 3:

Level the cabinet and adjust the cabinet to the correct position using a cross-head screwdriver.

Height adjustment (2).

Depth adjustment (3).

**Caution!** When fixing to a lightweight partition wall, make sure that the load is distributed correctly – if in doubt, contact the manufacturer!

Before installation, there is a need to check the suitability of the wall construction and to check that the fasteners are able to withstand the forces that occur. If the supplied universal set does not match the nature of the wall, appropriate screws and fittings must be obtained from specialist dealers to ensure safety.

Assembly or disassembly may only be carried out by trained specialist personnel, since there is a risk of serious accidents if the assembly is not carried out correctly. VS Vereinigte Spezialmöbelfabriken GmbH & Co.KG assumes no liability for incorrect or improper installation and operation.

**Caution!** Always hang cupboards above 1m (top shelf)!

**Important!** Make sure that the screw heads are not slip through the holes in the suspension rail!